



BTS 60

Basic Floor spring

The basic floor spring designed for light traffic double action doors

With the BTS 60, DORMA offers a floor spring that is designed for light use double action doors for basic requirement.

It is used for the standard double action doors with the door width up to 1,000mm and a maximum door weight of 80kg.

Closing speed adjustment is optimized with two regulating valves.

The compact and shallow design ensures an ideal application for limited floor depth.

Benefits

For the trade

- Low cost solution for low traffic doors.
- Standard solution including accessories.

For the installer

- Easy installation thanks to shallow design.
- Easy to adapt to individual requirements with dual valve control 130° to 15° and 15° to 0°.

For the architect/specifier

- Easy solution for single leaf doors .
- Door weights up to 80 kg and door width up to 1000 mm.
- Minimum floor recess dimension.

For the user

- DORMA quality in the basic segment.
- Comfortable door operation with low effort.
- Optional mechanical hold-open at 90°.

Technical Data		BTS 65
Spring strength	Size	3
Standard doors ^{1) 2)}	≤ 1000 mm	●
Max. door weight in kg		80
Closing speed variable by valve adjustment	130°-15° 15°-0°	●
Backcheck		-
Hold-open point 90°		○
Weight in kg, approx.		4,4
Dimensions in mm	Length	274
	Width	97
	Height	40

● Yes – No ○ Option

¹⁾ For applications involving particularly high or heavy doors, and doors which have to close against wind or draught conditions, the DORMA BTS 80 should be selected.

²⁾ Max. opening 130°. Door stop necessary for doors which can open further than 130°.

Standard and optional functions

Closing ranges

The floor spring has two controlled closing ranges:

Valve 1: 130° – 15°

Valve 2: 15° – 0°.

1 Infinitely variable closing speed in the range 130° – 15°.

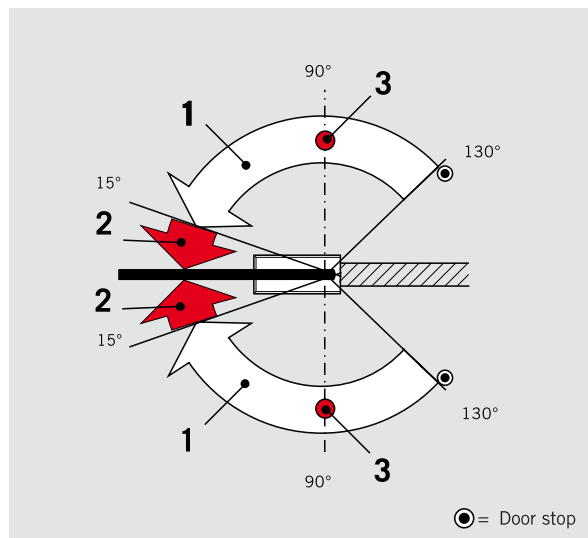
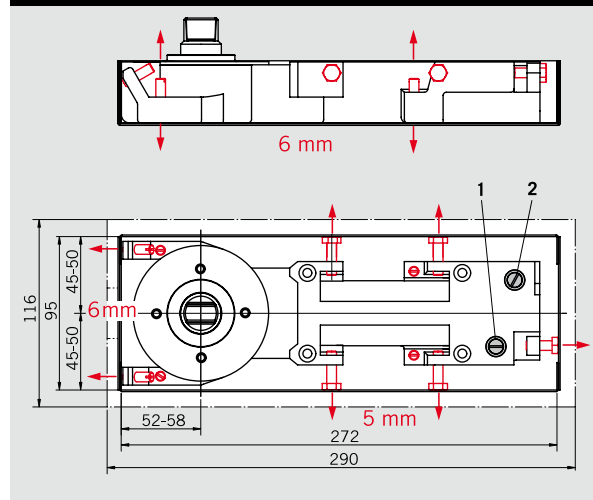
2 Second closing range 15° – 0°.

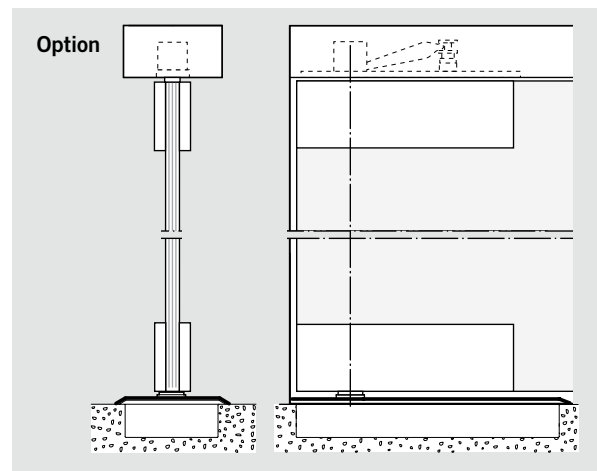
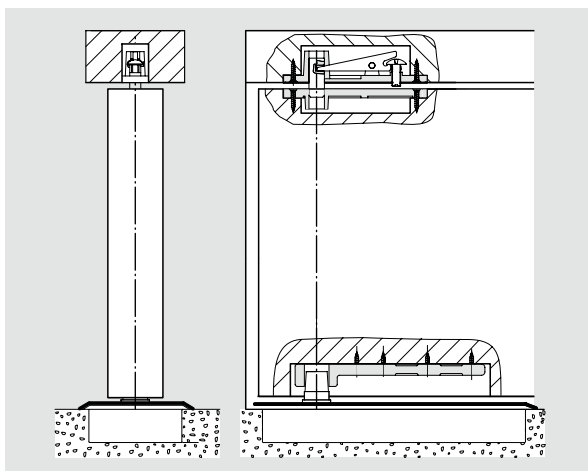
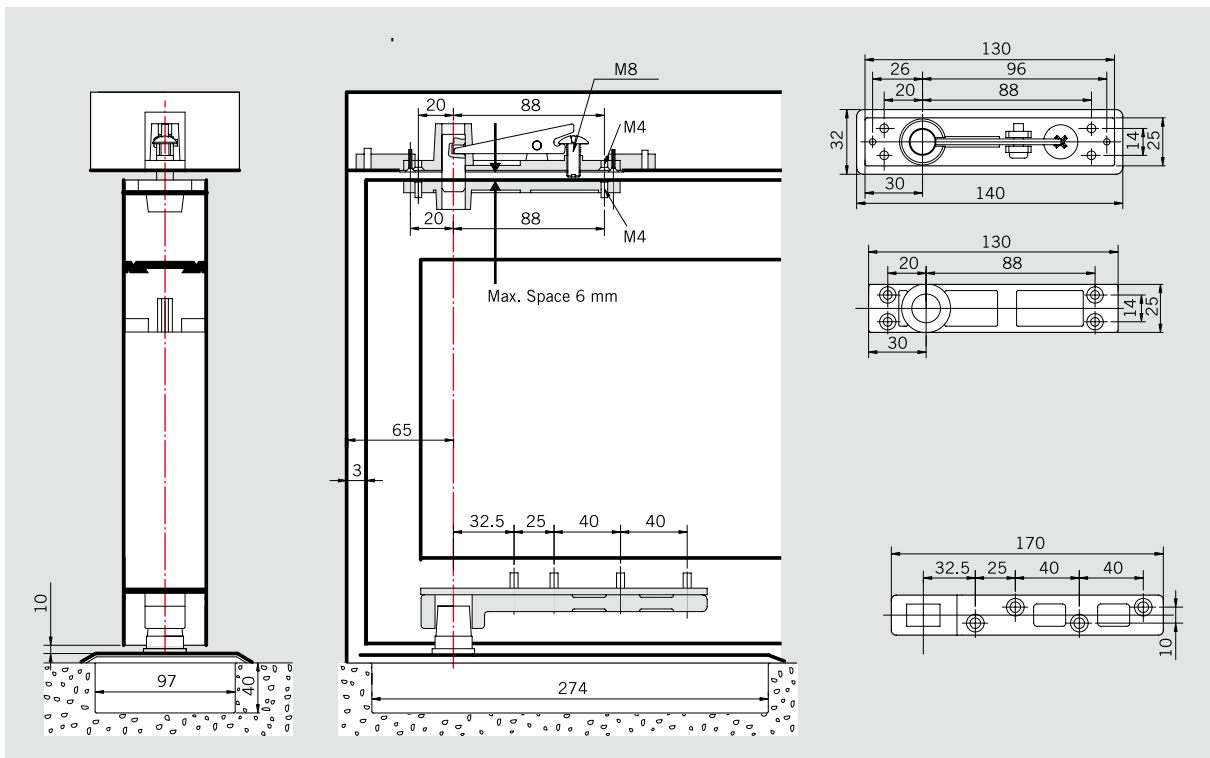
Hold-open

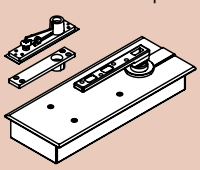
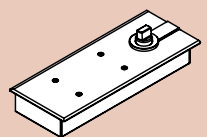
With optional integrated single-point hold-open at 90°.

3 Hold open at 90° (optional extra).

Measurements





Standard equipment and accessories	
Floor Spring BTS 60 size 3 including top centres and bottom strap 	Floor Spring BTS 60 size 3 
Standard	
25060305	25060405
with 90° hold-open	
25160305	25160405

If another application than the standard is required, we recommend BTS 75V/84.

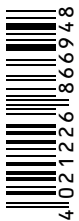
Specification text

Floor spring for double action doors, size 3, with hydraulic fully controlled closing from approx. 130°; including cement box and spindle.

Models

- Standard
 - including top centres and bottom strap
- Hold-open 90°
 - including top centres and bottom strap

Make: DORMA BTS 60



Door Control



Automatic



**Glass Fittings
and Accessories**



**Security/Time
and Access (STA)**



Movable Walls

Door Control Division worldwide

Central Europe

DORMA GmbH + Co. KG
DORMA Platz 1
D-58256 Ennepetal
Phone +49 2333 793-0
Fax +49 2333 793-495

Australasia

DORMA Door Controls Pty. Ltd.
52, Abbott Road
Hallam/Victoria 3803
Australia
Phone +61 3 8795 0666
Fax +61 3 8795 0280

China/Hong Kong

DORMA Door Controls
(Suzhou) Co. Ltd.
No. 9, Hong Feng Road
Suzhou Singapore Industrial Park
Suzhou, 215021
P.R. of China
Phone +86 512 67612481
Fax +86 512 67614582

Emerging Markets

DORMA GmbH + Co. KG
DORMA Platz 1
D-58256 Ennepetal
Phone +49 2333 793-0
Fax +49 2333 793-495

France

DORMA France S.A.S.
Zone Europarc
Immeuble Mega 42
42, Rue Eugène Dupuis
F-94046 Créteil Cedex
Phone +33 1 41942400
Fax +33 1 41942401

Far East

DORMA Far East Pte. Ltd.
No. 31 Gul Lane
Singapore 629425
Phone +65 6268 7633
Fax +65 6265 7995

Germany

DORMA GmbH + Co. KG
DORMA Platz 1
D-58256 Ennepetal
Phone +49 2333 793-0
Fax +49 2333 793-495

Gulf

DORMA Gulf Door Controls FZE
Jebel Ali Free Zone South
Plot No. S 20135
Road No. SW 301 G
P.O. Box 17268
Dubai – United Arab Emirates
Phone +971 4 8020400
Fax +971 4 8869100/8869101

North America

DORMA Architectural Hardware
DORMA Drive, Drawer AC
Reamstown, PA 17567-0411
Phone +1 800 5238483
Fax +1 800 2749724

Scanbalt

DORMA Danmark A/S
Sindalvej 6-8
DK-2610 Rødovre
Phone +45 44 543000
Fax +45 44 543001

South America

DORMA Sistemas de Controles
para Portas Ltda.
Av. Piracema, 1400
Centro Empresarial Tambore
CEP 06400-933 Barueri/
São Paulo, Brasil
Phone +55 11 46899280
Fax +55 11 46899215

South-East Europe

DORMA AUSTRIA GmbH
Pebering Strass 22
A-5301 Eugendorf
Phone +43 6225 284880
Fax +43 6225 28491

South Europe

DORMA Italiana S.r.l.
Via. Canova 44/46
I-20035 Lissone (MI)
Phone +39 039 244031
Fax +39 039 24403310

Spain

DORMA Ibérica, S.A.
Camino San Martin de la Vega, 4
E-28500 Arganda del Rey
(Madrid)
Phone +34 91 8757850
Fax +34 91 8757881

UK/Ireland

DORMA UK Ltd.
Wilbury Way
Hitchin
GB-Hertfordshire SG4 0AB
Great Britain
Phone +44 1462 477600
Fax +44 1462 477601